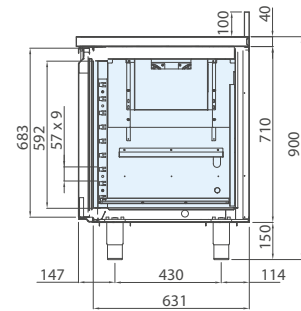
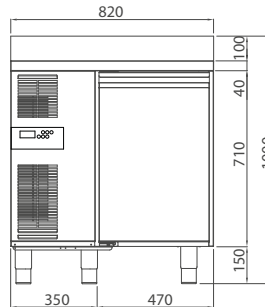


mod. COUSM82TNPA | cod. 06610020

mod. COUSM82TNPRA | cod. 06610030



EN TECHNICAL SPECIFICATIONS

Available temperature (°C)	Dimensions W x D x H (mm)	Packaging dimensions W x D x H (mm)	Refrigerant gas	Net volum (L)	Climate class	Energy class	Power consumption (W)	Supply voltage	Annual consumption (kWh/anno)
0 / +8	820x700x900	1370x750x1100	R290	96	5	A	215	230 V / 50 Hz	416

EN TECHNICAL AND FUNCTIONAL FEATURES

- Refrigerated counter with AISI 304 stainless steel worktop with splashback h 100 mm
- Structure entirely in steel. Interior, walls and door in AISI 304 stainless steel
- Compact motor inside the technical compartment
- Forced ventilated refrigeration with protected evaporators positioned between the compartments
- 60 mm insulation of high pressure injected HFO polyurethane with a density of 42 kg/m³
- Tested with external working environment temperatures up to 43 °C, efficiency equivalent to energy class 5
- Automatic defrosting with compressor cut off in the 0/+8 °C version
- Automatic defrosting with electric resistance in the -2/+8 °C version
- Automatic evaporation of condensate water by means of a copper heat exchanger
- Internal dimensions GN 1/1
- Door hinges with automatic closing system
- Easily removable magnetic door and drawer gaskets
- Rounded internal corners and removable parts to facilitate cleaning
- Temperature detection by means of a thermistor sensor (NTC probe)
- Evaporator painted for cataphoresis with high corrosion resistance
- Height-adjustable stainless steel feet

COUSM82TNPRA - cod. 06610030: version with round edge worktop

V-2+8COU - cod. 06690010: -2/+8 °C working temperatur version

OPTIONAL

- Stainless steel grid GN 1/1
- Stainless steel couple of "U" runners
- Set of 4/6 castors
- Lock with key
- Spare drawers' kit
(1/2+1/2 - 1/3+2/3 - 1/3+1/3+1/3)
- Glass door and Led lighting

