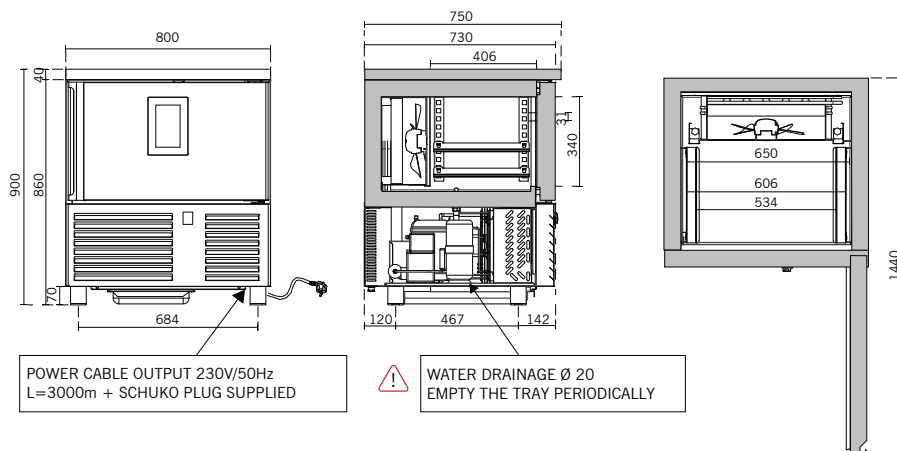
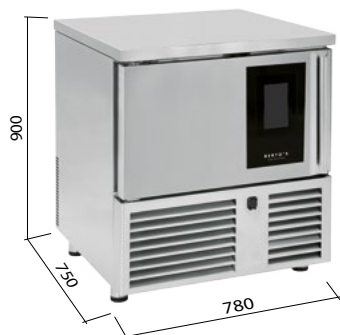


mod. **BC5T**

| cod. 06800000



## EN TECHNICAL SPECIFICATIONS

Temperature range (°C)	Dimensions W x D x H (mm)	Packaging dimensions W x D x H (mm)	Refrigerant gas	Capacity (L)	Climate class	Power consumption (W)	Supply voltage
<b>-40 / +80</b>	780 x 750 x 900	900 x 850 x 1250	R452A	89	4	1270	230 V / 50 Hz

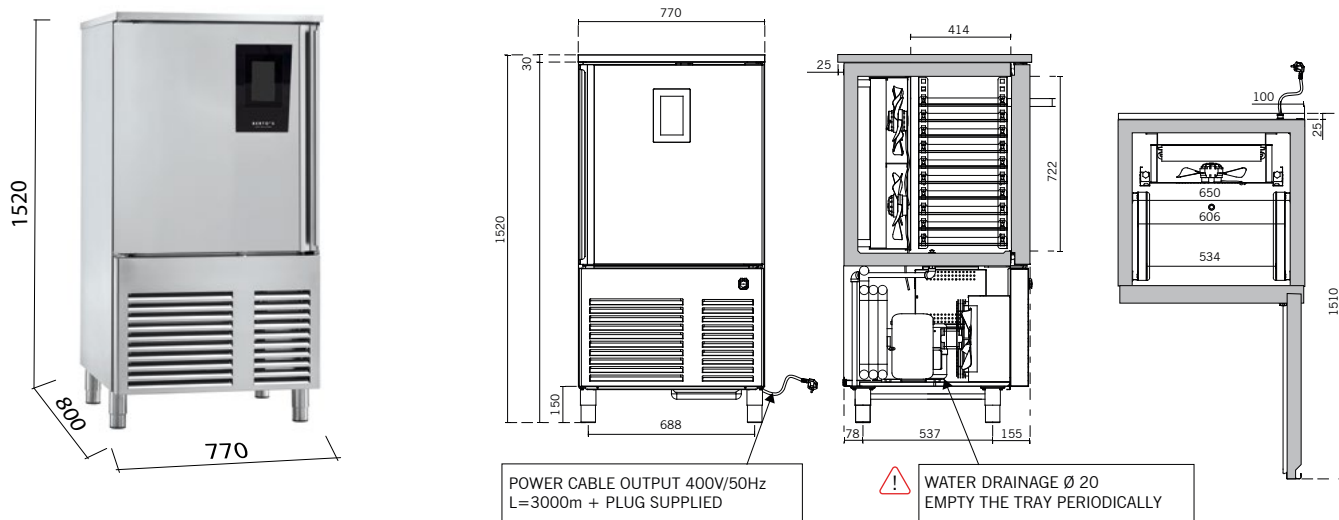
## EN TECHNICAL AND FUNCTIONAL FEATURES

- Blast chiller - 5 1/1 GN 60 x 40 trays, ventilated refrigeration, motor inside the technical compartment
- Interior walls, structure and door made of AISI 304 stainless steel
- Rounded internal corners to facilitate cleaning operation
- Self-closing door with magnetic seal
- 60 mm thick insulation made of high pressure injected polyurethane with HFO blowing agent and 42 kg/m<sup>3</sup> density
- Cataphoresis-treated evaporator for high corrosion resistance
- 7" color Touch Display control panel in 5 languages
- Blast chiller operating modes: Blast chilling - Freezing - Thawing - Defrosting - Slow cooking at a low temperature - Leaving with steam generator (accessory) - Ice cream hardening - Drying - Neutralizing bacteria in raw fish - Sanitization of the room with ozone generator (accessory)
- Customizable recipe book with 4 settable consecutive functions
- HACCP alarm storage
- USB port to upload and download data
- Needle probe for providing precise control of temperature
- 5 pairs of slideways included
- One stainless steel 1/1 GN wire-shelf and one 60x40 wire-shelf included
- From -40° C to +80° C operating cycles
- Chilling yield: 16 kg + 70° C/ +3° C
- Freezing yield: 10 kg + 70° C/-18° C
- Adjustable stainless-steel legs
- Automatic condensate drain tray
- Condensate drain pan under the chiller bottom
- Maximum room temperature of 30° C with 55% humidity equivalent to climate class 4

## OPTIONAL

- Set of castors (2 with break)
- 1/1 GN Stainless steel grid
- 60x40 Stainless steel grid
- 1/1 GN Stainless steel tray H20
- 1/1 GN Stainless steel tray H40
- 1/1 GN Stainless steel tray H65
- Steam generator
- Ozone generator
- Large stand

mod. **BC10T** | cod. 06810000



## EN TECHNICAL SPECIFICATIONS

Temperature range (°C)	Dimensions W x D x H (mm)	Packaging dimensions W x D x H (mm)	Refrigerant gas	Capacity (L)	Climate class	Power consumption (W)	Supply voltage
<b>-40 / +80</b>	770 x 800 x 1520	800 x 850 x 2000	R452A	188	4	2140	400 V / 50 Hz

## EN TECHNICAL AND FUNCTIONAL FEATURES

- Blast chiller - 10 1/1 GN 60 x 40 trays, ventilated refrigeration, motor inside the technical compartment
- Interior walls, structure and door made of AISI 304 stainless steel
- Rounded internal corners to facilitate cleaning operation
- Self-closing door with magnetic seal
- 60 mm thick insulation made of high pressure injected polyurethane with HFO blowing agent and 42 kg/m3 density
- Cataphoresis-treated evaporator for high corrosion resistance
- 7" color Touch Display control panel in 5 languages
- Blast chiller operating modes: Blast chilling - Freezing - Thawing - Defrosting - Slow cooking at a low temperature - Leaving with steam generator (accessory) - Ice cream hardening - Drying - Neutralizing bacteria in raw fish - Sanitization of the room with ozone generator (accessory)
- Customizable recipe book with 4 settable consecutive functions
- HACCP alarm storage
- USB port to upload and download data
- Needle probe for providing precise control of temperature
- 10 pairs of slideways included
- One stainless steel 1/1 GN wire-shelf and one 60x40 wire-shelf included
- From -40° C to +80° C operating cycles
- Chilling yield: 30 kg + 70° C/ +3° C
- Freezing yield: 18 kg + 70° C/-18° C
- Adjustable stainless-steel legs
- Automatic condensate drain tray
- Condensate drain pan under the chiller bottom
- Maximum room temperature of 30° C with 55% humidity equivalent to climate class 4

## OPTIONAL

- Set of castors (2 with break)
- 1/1 GN Stainless steel grid
- 60x40 Stainless steel grid
- 1/1 GN Stainless steel tray H20
- 1/1 GN Stainless steel tray H40
- 1/1 GN Stainless steel tray H65
- Steam generator
- Ozone generator